



MODELS

Cla-Val Power Converter Products

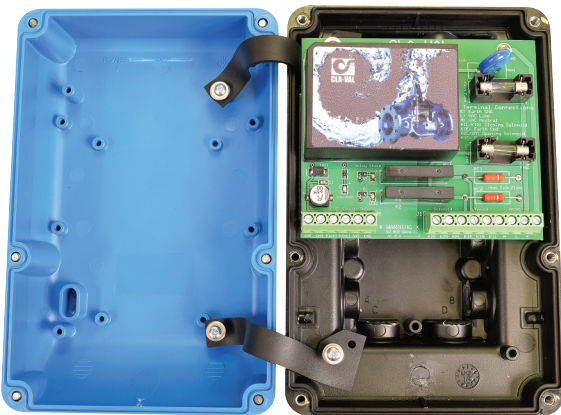
Self-contained device used to convert AC power source to 24VDC to operate VC-22D Electronic Valve Controller and/or power AC voltage solenoids.

Specifications

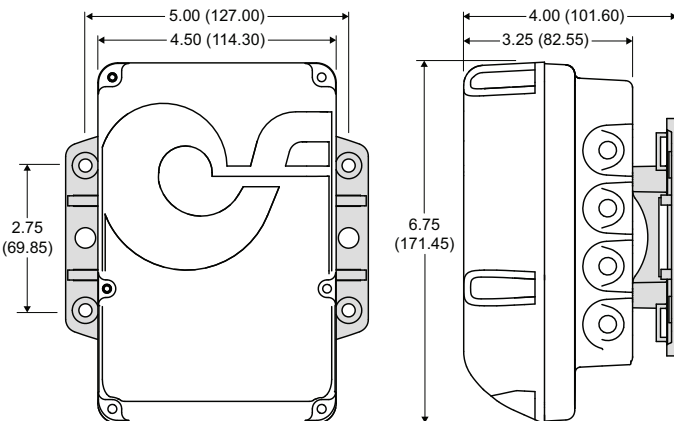
- Device Supported: Cla-Val VC-22D
- Input Voltage: 90 - 264 VAC
- Frequency: 50 - 60 Hz
- Output Voltage: 24 VDC, 15 Watts Max
- Relays: Solid State, Fuse Protected
- Solenoid Power: 120/60 VAC

EPC Assembly - IP68/65 VC-22D

Enclosure: IP68



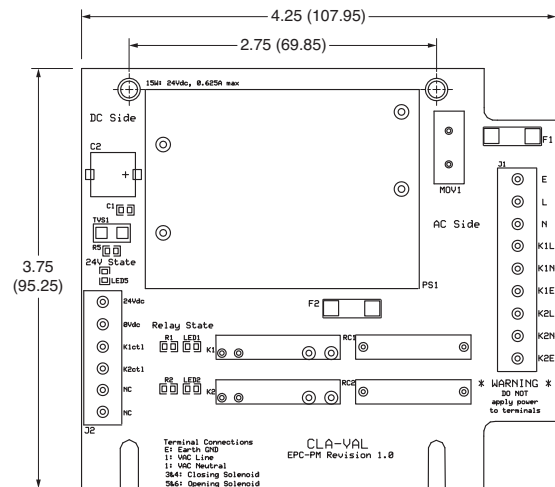
Mounting Bracket Included



EPC - Panel Mount VC-22D Assembly

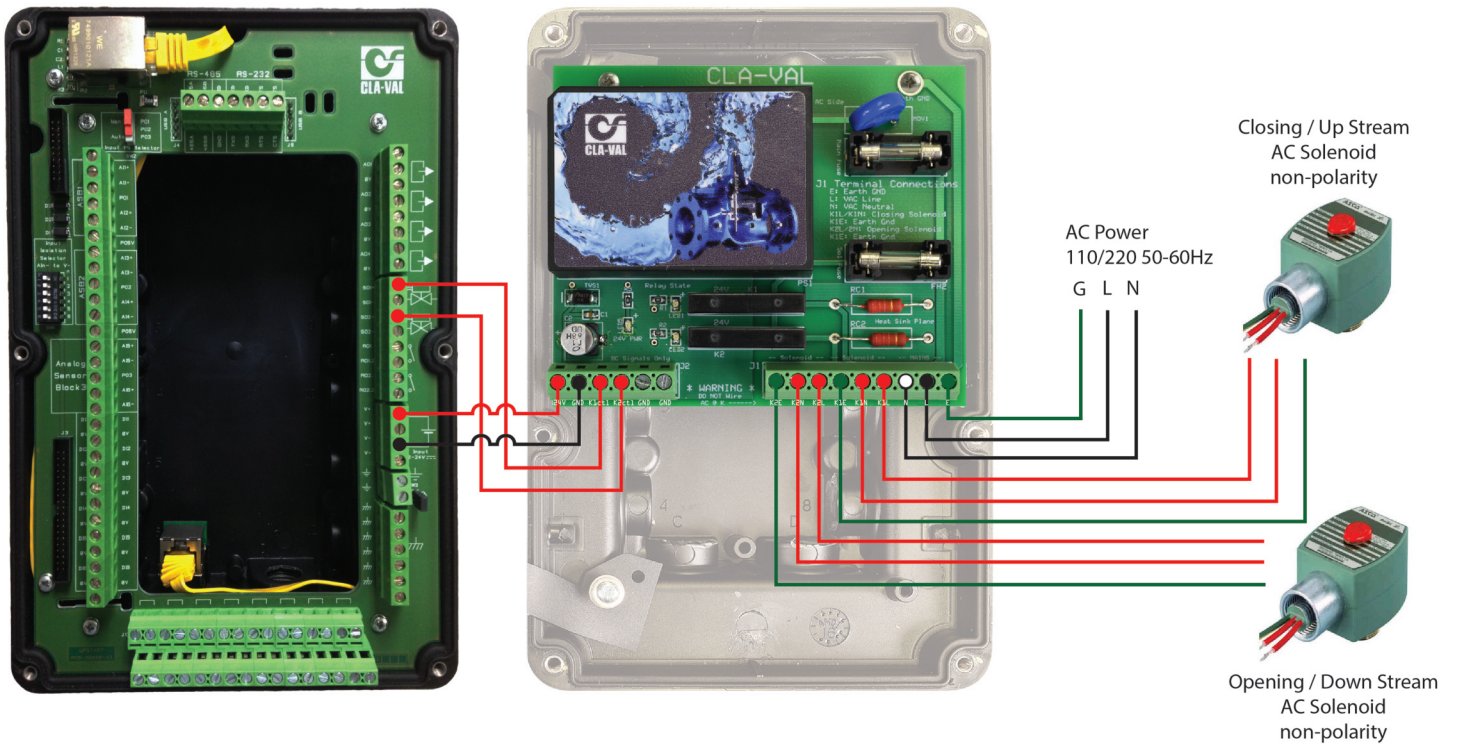


Mounting Hardware Included with Panel Mount VC-22D Assembly



WIRING DIAGRAMS

EPC Assembly - IP68/65 VC-22D



EPC - Panel Mount VC-22D Assembly

