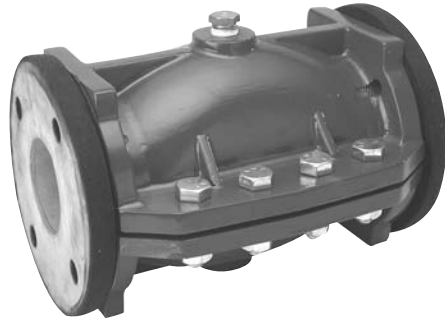




Series PV30

Split-Body Pinch Valve



OPERATION

The Cla-Val Series PV30 Pinch Valves provide a positive means to control flow of hard to handle, aggressive media such as slurries, sludges and dry solids. The standard, pure gum elastomer sleeve, the only moving part of the valve, is contained in a cast iron or aluminum housing. The annular space surrounding the sleeve and the housing becomes the valve actuator when charged with air or water.

As pressurized air or water enters the annular space, the elastomer sleeve is squeezed shut. Venting the pressurized air or water opens the valve.

MAINTENANCE

Cla-Val Split Body Pinch Valve is truly maintenance free because it has no mechanical moving parts. The only wetted part is the elastomer sleeve, made of reinforced polyester fabric for longer lasting cycle life. The sleeve is the only part needed for future replacement.

Quality Features at No Extra Cost!

- Simple open/close operation
- Only one moving part
- Long cycle life
- Full port area
- Tight shutoff, even on trapped solids
- Suitable for vacuum service

Heavy Duty Construction

- Cast Iron or Aluminum two piece
- Split body-easy sleeve replacement
- Extra thick wear lining
- Only reinforced polyester fabric is used for higher strength sleeves!
- Many elastomers to choose:
 - Food grade and double wall sleeves
 - Reduced port sleeves for throttling flow
 - Special service construction available

Many Synthetic Sleeve Materials Available:

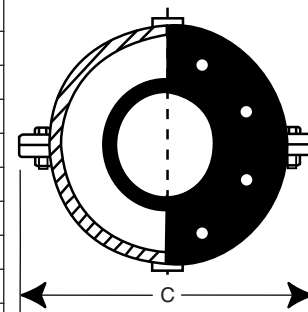
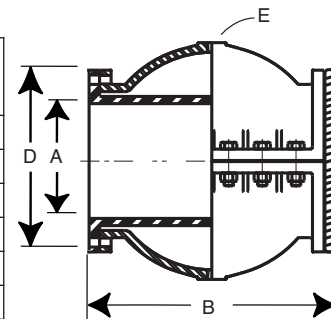
Neoprene - Chlorobutyl - Hypalon - Buna-N® - Ethylene Propylene Rubber - Urethane and Viton™

When ordering above sleeve materials add the first letter of the material after the model number.

i.e. Model PV30.10N (N for Neoprene)

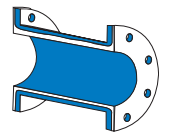
Series PV30 Split Body Pinch Valves

Model No.	Size A	Length B	Width C	Height D	Control Port E	Working Pressure	Weight Cast Iron	Weight Aluminum
PV30.050	1/2	3	4 1/4	3 1/2	1/4" NPT	125	5	2
PV30.075	3/4	4	5	3 7/8	1/4" NPT	125	7	4
PV30.100	1	3	5 3/4	4 1/4	1/4" NPT	125	9	6
PV30.150	1 1/2	3	6 1/2	5	1/4" NPT	125	17	8
PV30.2	2	9	8 1/2	7 1/8	1/2" NPT	125	32	15
PV30.250	2 1/2	10	9	7 1/2	1/2" NPT	125	40	20
PV30.3	3	12	10	8 1/8	1/2" NPT	125	51	23
PV30.4	4	12 1/2	11 3/4	10 5/8	1/2" NPT	100	70	34
PV30.5	5	16 1/2	11 3/4	11 1/2	1/2" NPT	75	137	60
PV30.6	6	20	15 1/4	13 1/4	1/2" NPT	75	180	88
PV30.8	8	22	17 1/2	18	1/2" NPT	75	257	120
PV30.10	10	24	19 3/8	22 3/8	1" NPT	50	440	195
PV30.12	12	26	21 1/2	25	1" NPT	50	485	252
PV30.14	14	30	24	27 1/2	1" NPT	50	825	291
PV30.16	16	34	25	29 1/2	1" NPT	50	933	340
PV30.18	18	39	28 1/4	32 5/8	1" NPT	25	1300	560
PV30.20	20	43	29	36 1/2	1" NPT	25	1555	670
PV30.24	24	51	37 1/2	47	1" NPT	25	2525	790

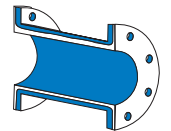


Sleeves Available in Different Styles.

Pinch Valve Standard Sleeve



Pinch Valve Double Wall Sleeve



Pinch Valve Reduced Port Sleeve

